



S P A C E  U S A

B O L T L E S S R I V E T S H E L V I N G

W A R E H O U S E S O L U T I O N S

S P A C E ⊕ U S A



One of the most popular storage solutions that we offer is our Boltless Rivet Shelving, with a wide range of sizes, capacities and design layout options, it has rapidly become one of the most versatile storage solutions within our industry, is perfect for both warehouse and office applications.

⊕ BOLTLESS RIVET SHELVING



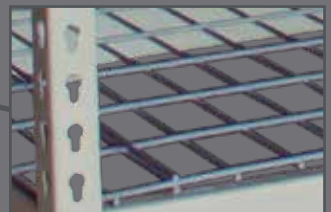
POWDER COAT FINISH



SINGLE RIVET



DOUBLE RIVET



DECKING OPTIONS

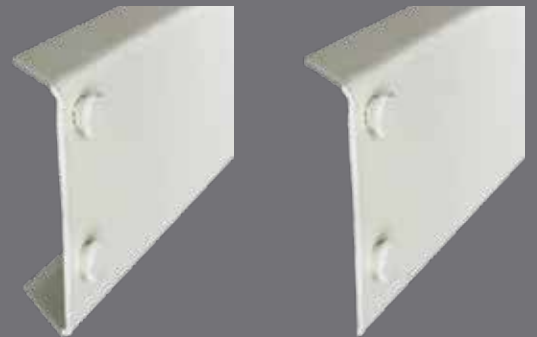


CENTER SUPPORTS

⊕ DOUBLE RIVET



- ⊕ Space Plus USA's Boltless Rivet Shelving has been designed for handling larger volume items both efficiently and economically.
- ⊕ Sections can be as large as 96" wide minimizing the number of post obstructions and accommodating an array of load sizes within the same unit.
- ⊕ Depth can be as great as 48" and since there are no side or back braces, sections can easily be accessed from all directions.
- ⊕ Sections 72", 60" or 48" long, require one Center Support per level
- ⊕ Sections 96" long require two Center Supports per level.





TECHNICAL DETAILS

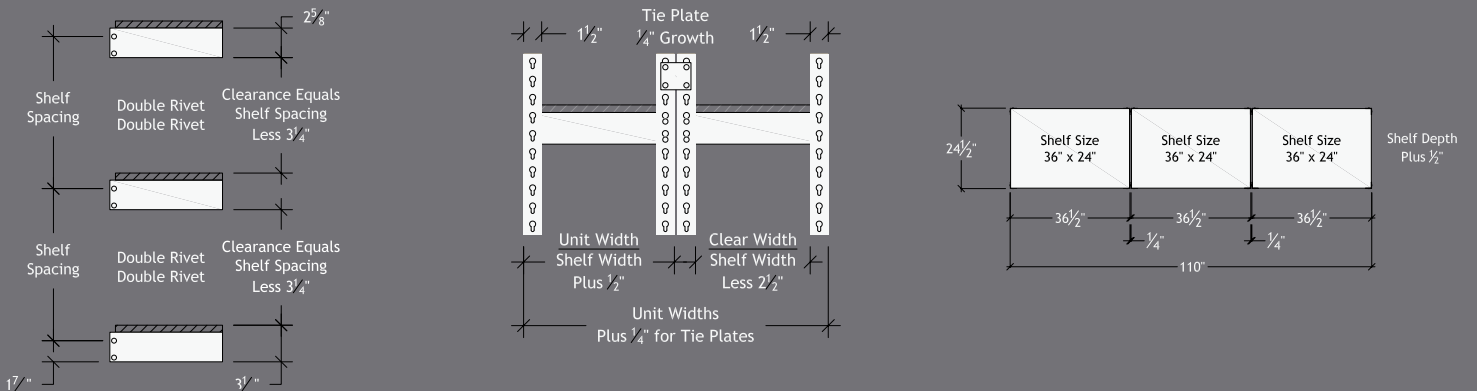
CAPACITY CHART (Lbs)					
DOUBLE RIVET BEAM					
WITHOUT CENTER SUPPORT			WITH CENTER SUPPORT		
W" x W"	Shelf Cap	Max Unit Capacity	W" x W"	Shelf Cap.	Max Unit Capacity
48 x 12	320	2300	48 x 12	1400	2300
48 x 18	320	2300	48 x 18	1400	2300
48 x 24	320	2300	48 x 24	1400	2300
48 x 36	320	2300	48 x 36	1200	2300
48 x 48	320	2300	48 x 48	1125	2300
60 x 18	250	2300	60 x 18	1200	2300
60 x 24	250	2300	60 x 24	1200	2300
60 x 36	250	2300	60 x 36	1200	2300
60 x 48	250	2300	60 x 48	1200	2300
72 x 18	210	2300	72 x 18	1000	2300
72 x 24	210	2300	72 x 24	1000	2300
72 x 36	210	2300	72 x 36	1000	2300
96 x 18	620	2300	72 x 48	1000	2300
96 x 24	620	2300	96 x 18	1400	2300
96 x 36	620	2300	96 x 24	1400	2300
96 x 48	620	2300	96 x 36	1400	2300
			96 x 48	1400	2300



DOUBLE RIVET BEAM			
in	mm	in	mm
12"	305	42"	1067
15"	381	48"	1220
18"	457	60"	1524
24"	610	72"	1829
30"	762	96"	2438
36"	914	96" CH	2438

Standard 96" Long Beams have a Channel Design
Additional Sizes Available Upon Request

EXAMPLE OF SECTION GROWTH



Shelf levels are adjustable on 1-1/2" centers. Sections over 12' high have posts 1-7/8" x 1-7/8". Easy assembly with only a rubber mallet.





⊕ SINGLE RIVET

- ⊕ For higher density applications, Space plus USA's Single Rivet Shelving offers a more efficient use of storage space.
- ⊕ With Single Rivet Beams measuring only 1" thick, they provide the maximum usable clearance possible between shelves.
- ⊕ Sections are designed with Double Rivet Beams for the top and bottom levels and use Single Rivet Beams for the intermediate.
- ⊕ Since diagonal braces are not required with Rivet Shelving, products can be accessed from all sides of the section.
- ⊕ Single Rivet Sections can be as large as 48" long and 48" deep, helping to provide an economic solution to the most complex layouts.
- ⊕ For sections 24" deep or smaller, Single Rivet Levels only have beams on the front and back to adequately support the decking.
- ⊕ Sections that are greater than 24" deep require beams on all four sides. Shelves are adjustable on 1½" centers and are easily assembled with only a rubber mallet.



⊕ TECHNICAL DETAILS

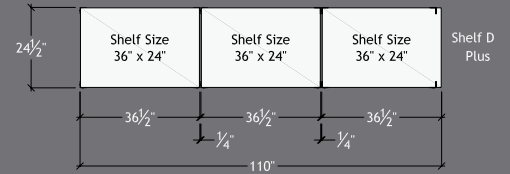
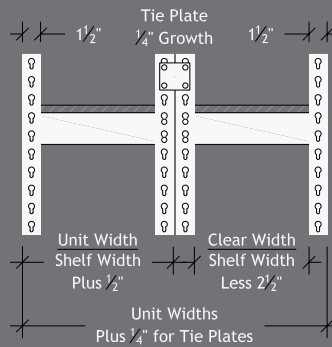
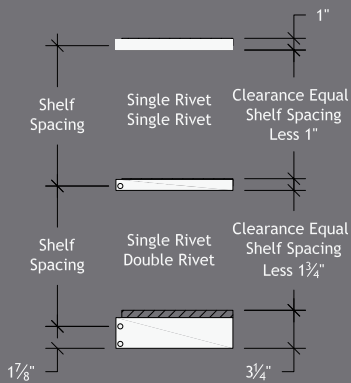


SINGLE RIVET BEAM			
in	mm	in	mm
12"	305	30"	762
15"	381	36"	914
18"	457	42"	1067
24"	610	48"	1220

Additional Sizes Available Upon Request
Sections 24" deep and smaller have beams on front & back only

CAPACITY CHART (Lbs)		
SINGLE RIVET BEAM		
W" x W"	Shelf Cap.	Max Unit Capacity
36 x 12	150	2300
36 x 15	150	2300
36 x 18	150	2300
36 x 24	150	2300
42 x 12	130	2300
42 x 15	130	2300
42 x 18	130	2300
42 x 24	130	2300
48 x 12	110	2300
48 x 15	110	2300
48 x 18	110	2300
48 x 24	110	2300

EXAMPLE OF SECTION GROWTH



Shelf levels are adjustable on 1-1/2" centers. Sections over 12' high have posts 1-7/8" x 1-7/8". Easy assembly with only a rubber mallet.





195 Abbott Ln,
Spartanburg, SC 29307

☎ 864.580.6313 - 704.905.8482

✉ info@spaceplususa.com

www.spaceplususa.com

W A R E H O U S E S O L U T I O N S